



HANDY MANNY

Manny's Repair Shop



Please keep this instruction sheet for future reference, as it contains important information.

Requires three "AA" (LR6) **alkaline** batteries (not included).

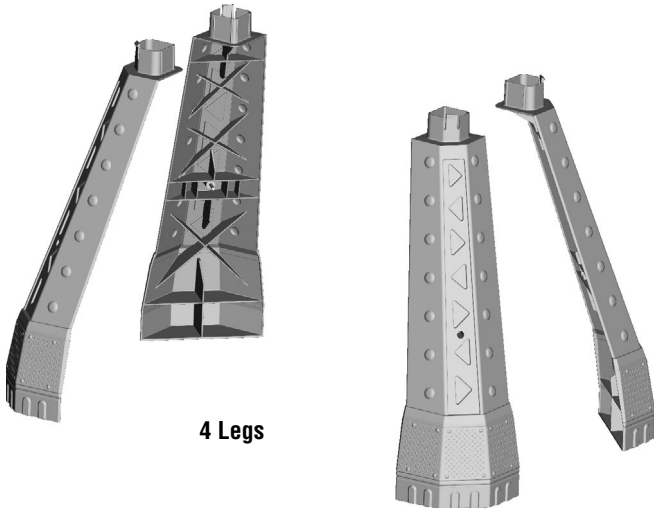
Adult assembly is required.

Tool required for assembly: Phillips screwdriver (not included).

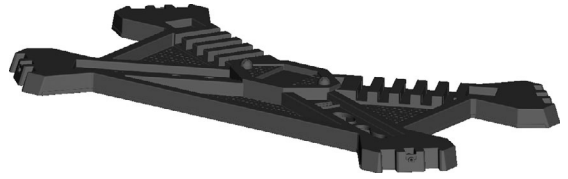
Fisher-Price®

www.fisher-price.com

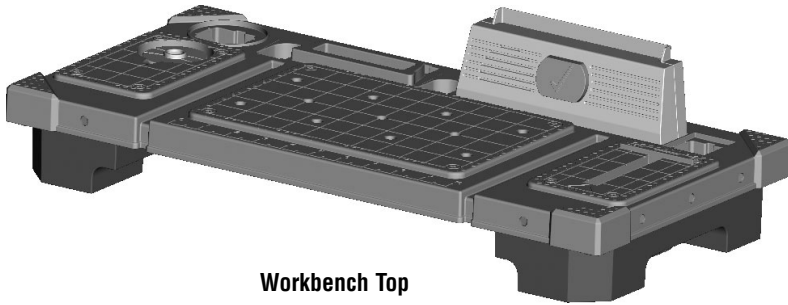
Assembled Parts



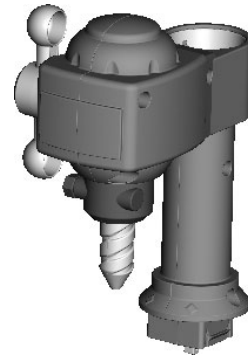
4 Legs



Shelf



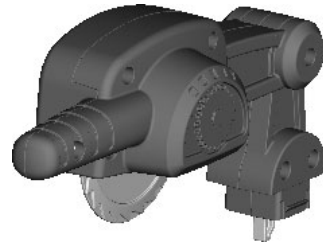
Workbench Top



Drill



Manny



Saw



#6 x 5/8" (1.6 cm) Screws - 4

Tighten and loosen all screws with a Phillips screwdriver.
Do not over-tighten.

© Disney

Visit the Disney Web site at www.disney.com

Fisher-Price, Inc., a subsidiary of Mattel, Inc., East Aurora, NY 14052 U.S.A.

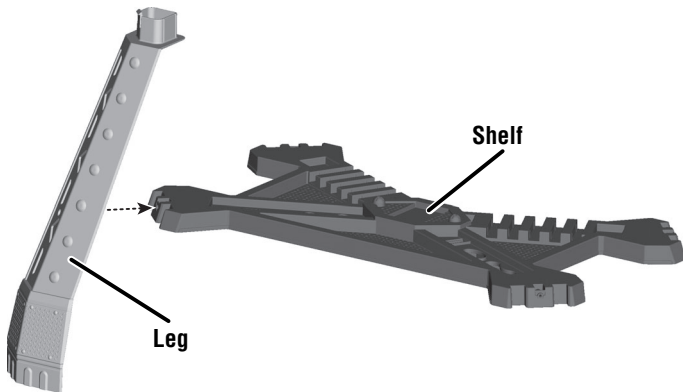
©2009 Mattel, Inc. All Right Reserved. © and ™ designate U.S. trademarks of Mattel, Inc., unless otherwise indicated.

Assembly



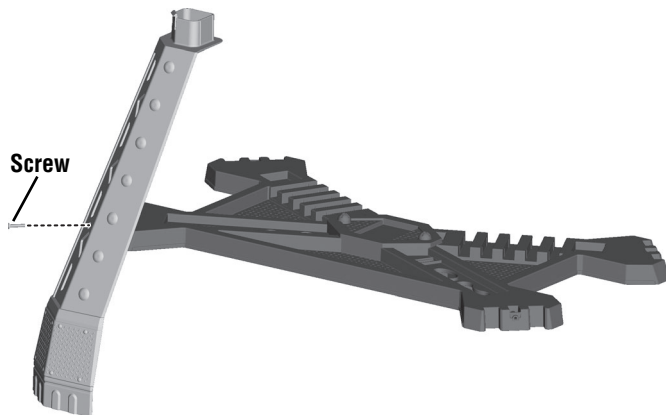
CAUTION

CHOKING HAZARD - Small Parts.
Not suitable for children under 3 years.



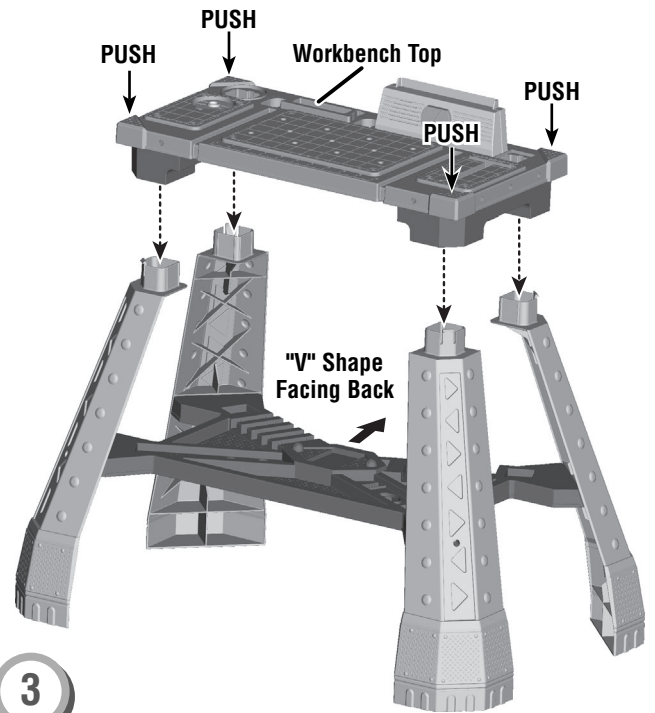
1

- Fit a leg onto the shelf, as shown.



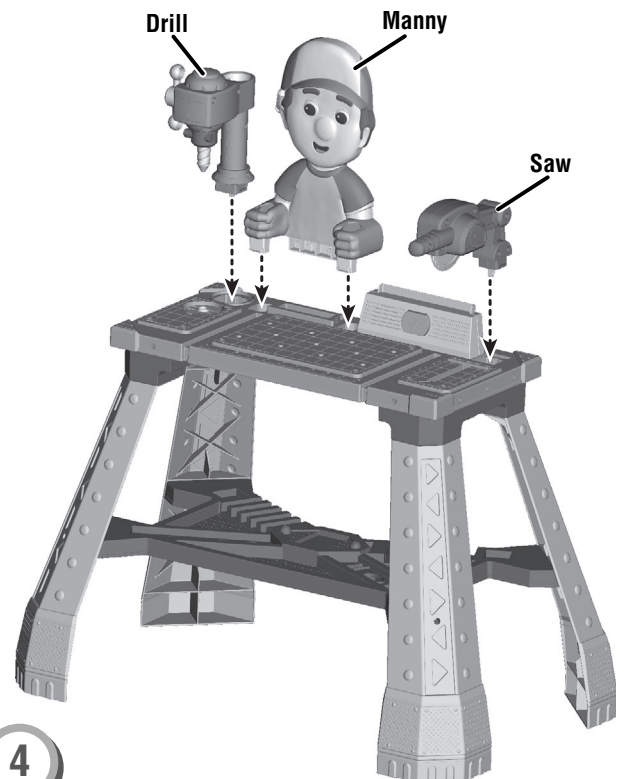
2

- Insert a screw into the leg and tighten.
- Repeat this procedure to assemble the remaining legs to the shelf.



3

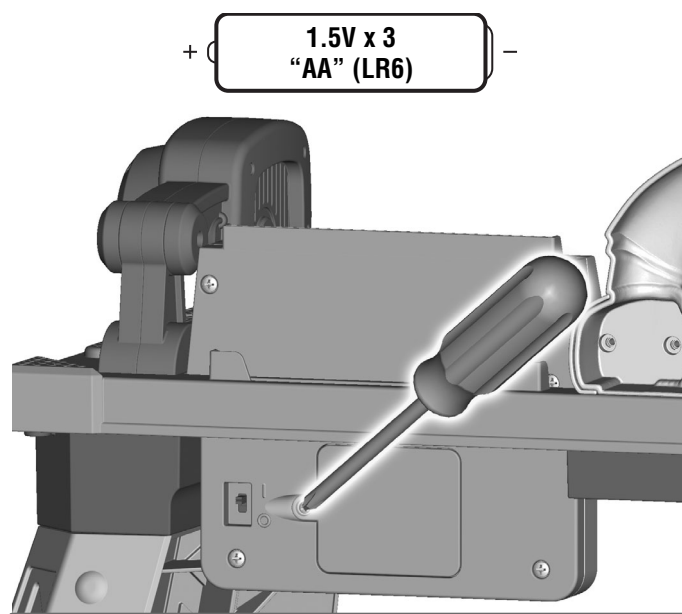
- Fit the workbench top onto the leg assembly.
Hint: The "V" shape in the shelf should be facing the back of the assembly (under the battery door) when attaching the workbench top.
- Push to "snap" the workbench top to the leg assembly (near each leg).



4

- Fit the saw, drill and Manny into the slots on the workbench. Push each to "snap" in place.

Battery Installation



- Locate the battery compartment on the back of the toy.
- Loosen the screw in the battery compartment door with a Phillips screwdriver. Remove the battery compartment door.
- Insert three, new "AA" (LR6) **alkaline** batteries.

Hint: We recommend **alkaline** batteries for longer battery life.

- Replace the battery compartment door and tighten the screw.
- If this product begins to operate erratically, you may need to reset the electronics. Slide the power switch off and then back on.
- When sounds from this toy become faint or stop, it's time for an adult to change the batteries.



- Protect the environment by not disposing of this product with household waste (2002/96/EC). Check your local authority for recycling advice and facilities (Europe only).

Battery Safety Information

In exceptional circumstances, batteries may leak fluids that can cause a chemical burn injury or ruin your product.

To avoid battery leakage:

- Do not mix old and new batteries or batteries of different types: alkaline, standard (carbon-zinc) or rechargeable (nickel-cadmium).
- Insert batteries as indicated inside the battery compartment.
- Remove batteries during long periods of non-use. Always remove exhausted batteries from the product. Dispose of batteries safely. Do not dispose of product in a fire. The batteries inside may explode or leak.
- Never short-circuit the battery terminals.
- Use only batteries of the same or equivalent type, as recommended.
- Do not charge non-rechargeable batteries.
- Remove rechargeable batteries from the product before charging.
- If removable, rechargeable batteries are used, they are only to be charged under adult supervision.

FCC Statement

United States Only

This equipment has been tested and found to comply with the limits for a Class B digital device, pursuant to Part 15 of the FCC Rules. These limits are designed to provide reasonable protection against harmful interference in a residential installation. This equipment generates, uses and can radiate radio frequency energy and, if not installed and used in accordance with the instructions, may cause harmful interference to radio communications. However, there is no guarantee that interference will not occur in a particular installation. If this equipment does cause harmful interference to radio or television reception, which can be determined by turning the equipment off and on, the user is encouraged to try to correct the interference by one or more of the following measures:

- Reorient or relocate the receiving antenna.
- Increase the separation between the equipment and receiver.
- Consult the dealer or an experienced radio/TV technician for help.

Note: Changes or modifications not expressly approved by the manufacturer responsible for compliance could void the user's authority to operate the equipment. This device complies with Part 15 of the FCC Rules. Operation is subject to the following two conditions: (1) This device may not cause harmful interference and (2) this device must accept any interference received, including interference that may cause undesired operation.

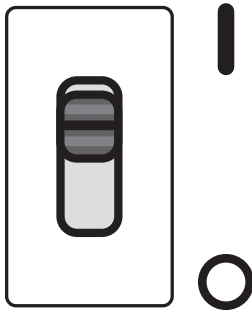
ICES-003


- This Class B digital apparatus complies with Canadian ICES-003.
- Operation is subject to the following two conditions:
(1) this device may not cause harmful interference and
(2) this device must accept any interference received, including interference that may cause undesired operation.

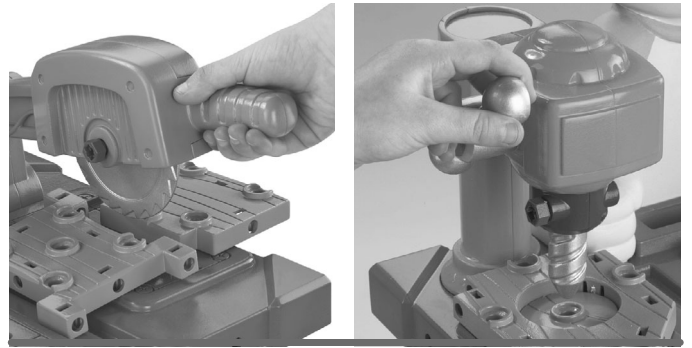
NMB-003

- Cet appareil numérique de la classe B est conforme à la norme NMB-003 du Canada.
- L'utilisation de ce dispositif est autorisée seulement aux conditions suivantes : (1) il ne doit pas produire de brouillage et (2) l'utilisateur du dispositif doit être prêt à accepter tout brouillage radioélectrique reçu, même si ce brouillage est susceptible de compromettre le fonctionnement du dispositif.

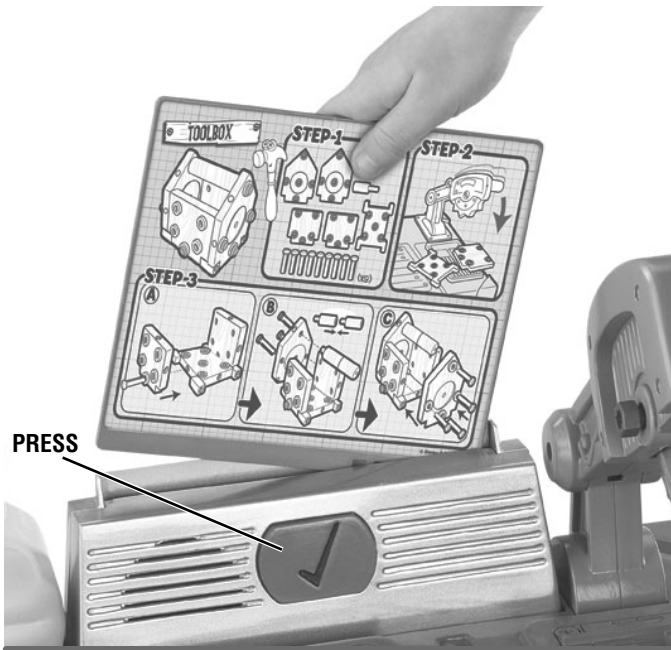
Help Build & Fix Projects!





- Slide the power switch on the back of the "diagnostic center" ON .

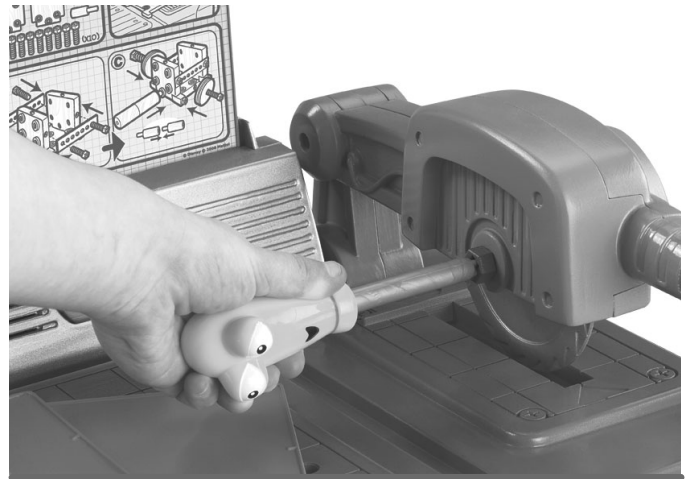


- Use the tools and "wood" pieces to build different projects!
- We've included printed blueprints to help you build!



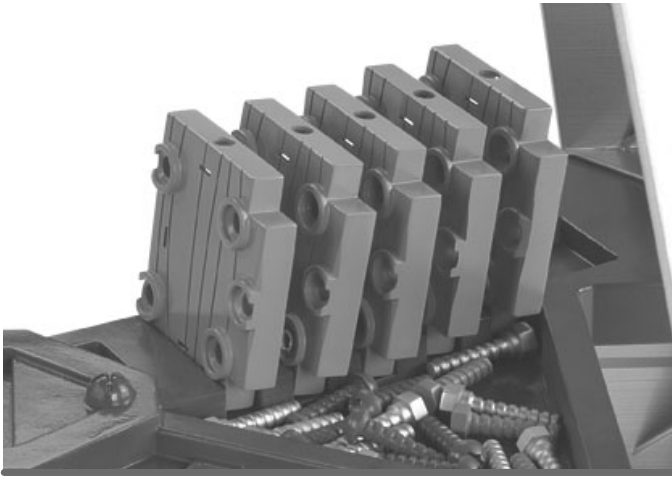
PRESS

- Insert a blueprint into the "diagnostic center" and press the check button  to hear how to build your projects. Manny will tell you what to do!
- After each step, press the check button  to hear Manny's instructions for the next step.



- Use the included screwdriver to "fix" the saw and the drill when they "break down".

Storage



- Use the slots and the compartments in the shelf to store your supplies!
- Store blueprints in the slot behind the "diagnostic center".

Care

- Wipe this toy with a clean cloth dampened with a mild soap and water solution. Do not immerse this toy.
- This toy has no consumer serviceable parts. Do not take this toy apart.

Consumer Information



CONSUMER ASSISTANCE

Call toll free: 1-800-432-5437 (US & Canada only)
M-F 9AM to 7PM / SAT 11AM to 5PM (EST)

service.fisher-price.com

Write to us at: Fisher-Price® Consumer Relations,
636 Girard Avenue, East Aurora, New York 14052.

Hearing-impaired consumers using TTY/TDD equipment,
please call 1-800-382-7470.

For countries outside the United States:

Canada: Mattel Canada Inc., 6155 Freemont Blvd.,
Mississauga, Ontario L5R 3W2; www.service.mattel.com.

Great Britain: Mattel UK Ltd, Vanwall Business Park,
Maidenhead SL6 4UB. Helpline: 01628 500303,
www.service.mattel.com/uk

Australia: Mattel Australia Pty. Ltd., 658 Church Street,
Locked Bag #870, Richmond, Victoria 3121 Australia.
Consumer Advisory Service 1300 135 312.

New Zealand: 16-18 William Pickering Drive,
Albany 1331, Auckland.

Asia: Mattel East Asia Ltd, Room 1106, South Tower,
World Finance Centre, Harbour City, Tsimshatsui, HK, China.